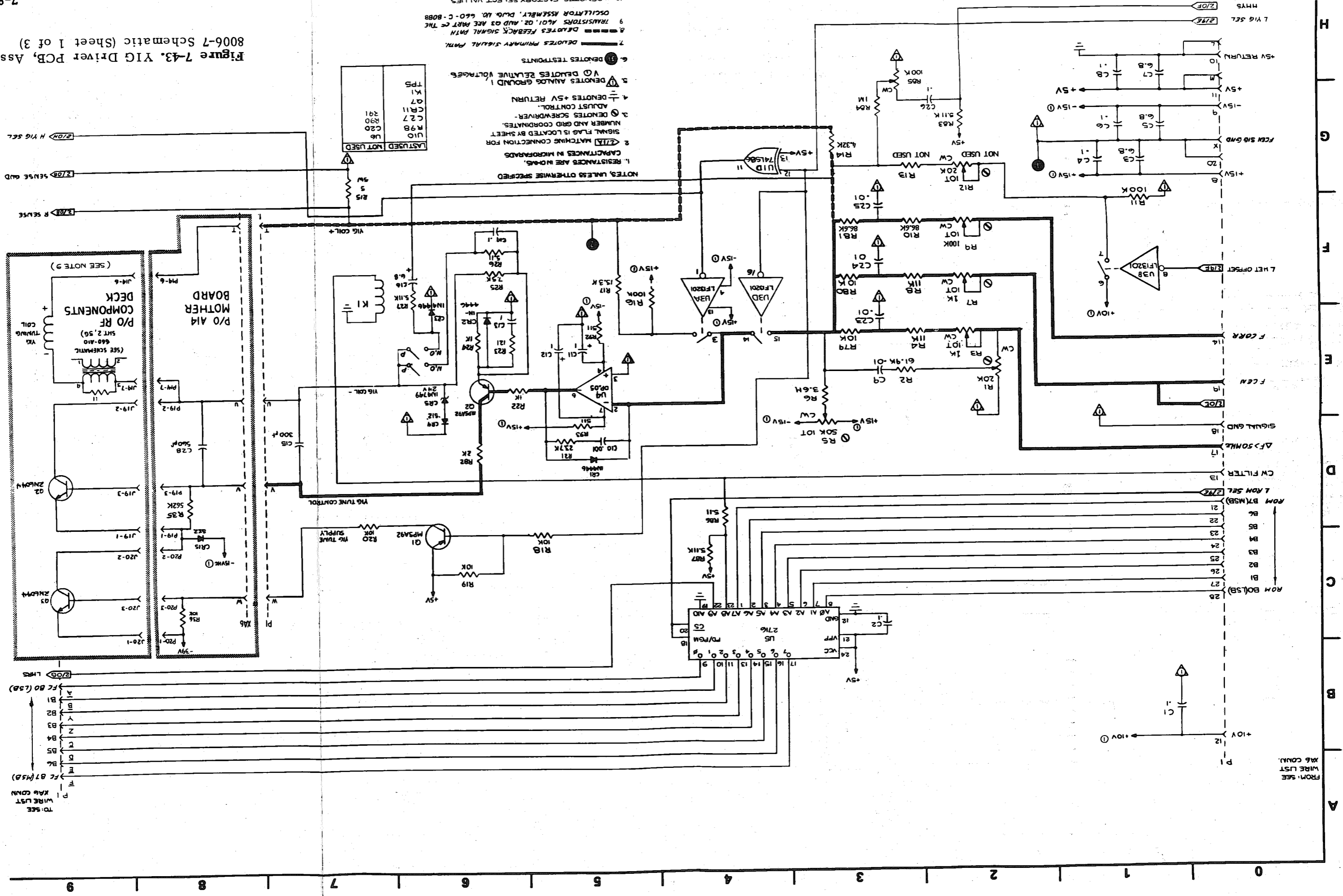
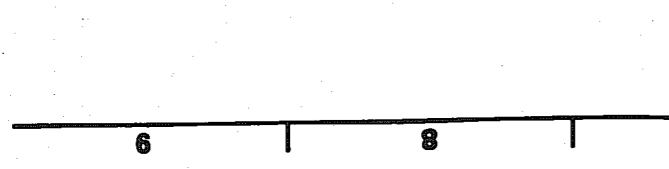
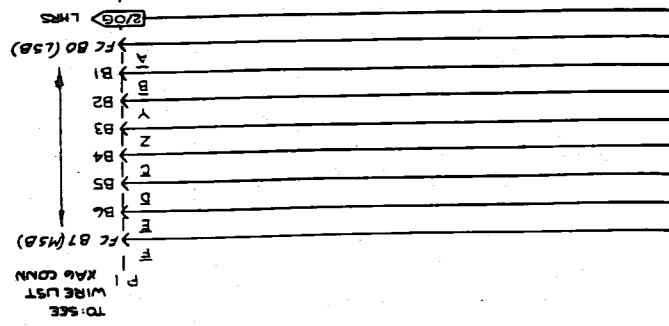
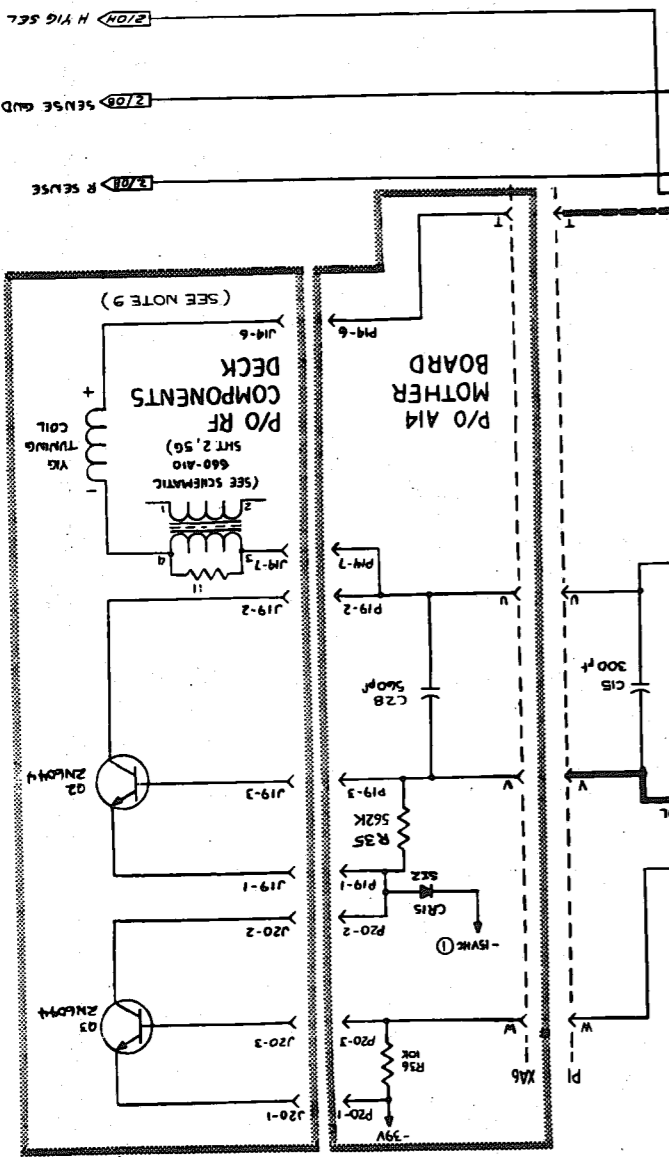


Figure 7-43. YIG Driver PCB, Assy
8006-7 Schematic (Sheet 1 of 3)



1. RESISTANCES ARE IN OHMS, CAPACITANCES IN MICROFARADS
2. MATCHING CONNECTION FOR SIGNAL FLAG IS LOCATED BY SHEET NUMBER AND GRID COORDINATES.
3. DENOTES SCREWDRIVER-ADJUST CONTROL.
4. DENOTES +5V RETURN
5. DENOTES ANALOG GROUND
6. DENOTES TESTPOINTS
7. DENOTES PRIMARY SIGNAL PATH
8. DENOTES FEEDBACK SIGNAL PATH
9. TRANSISTORS 4601, 02, AND 03 ARE PART OF THE OSCILLATOR ASSEMBLY, DUP. NO. 660-C-8088
10. * DENOTES FACTORY SELECT VALUES

U6	R98	C20	R90	C27	R11	C11	Q7	K1	TP5
LAST USED	NOT USED	NOT USED	NOT USED	NOT USED	NOT USED	NOT USED	NOT USED	NOT USED	NOT USED



FROM: SEE WIRE LIST XA6 CONN.

TO: SEE WIRE LIST XA6 CONN.